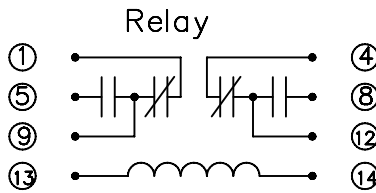
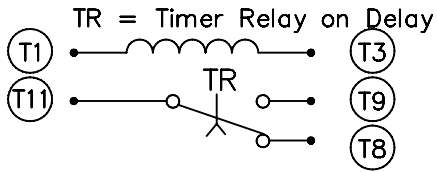
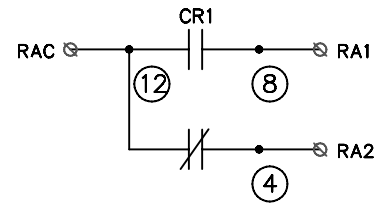


Relay Configurations



Remote Alarm

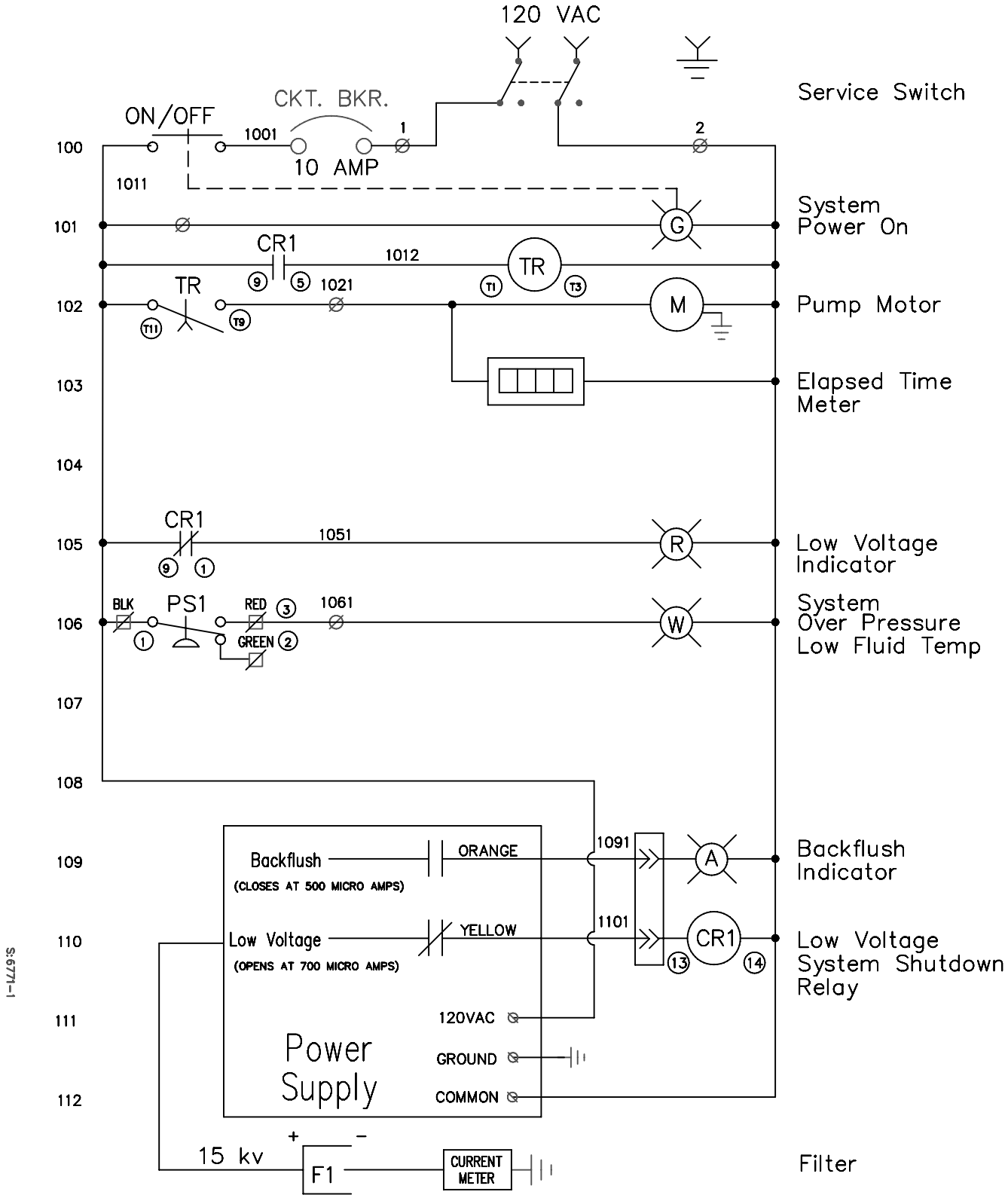


E.C.N.	C.A.R.	REV.	DATE	SIG.	DESCRIPTION
408024		7	10/7/97	D	SEC. E.C.N.
408022		6			SEE E.C.N.
408018		5			SEE E.C.N.
408016		4			SEE E.C.N.
408010		3			SEE E.C.N.

E.C.N.	C.A.R.	REV.	DATE	SIG.	DESCRIPTION
					UNLESS OTHERWISE SPECIFIED
					DO NOT SCALE DRAWING
					FRACTIONAL DIMS.: X= ± .01
					ANGULAR DIMS.: ± 1/2°

SCALE	DWG.	DATE	BY	CHKD.	APPV.
DWG	DWG	9/17/96			
DWG	DWG	2/6/95			
DWG	DWG	1/9/95			
DWG	DWG	8/30/95			

TITLE	MATL.	DATE	REV.
ASL Technologies, LLC			
MODEL 40			
STANDARD BOLT-ON			
SCHEMATIC			



S-6771-1