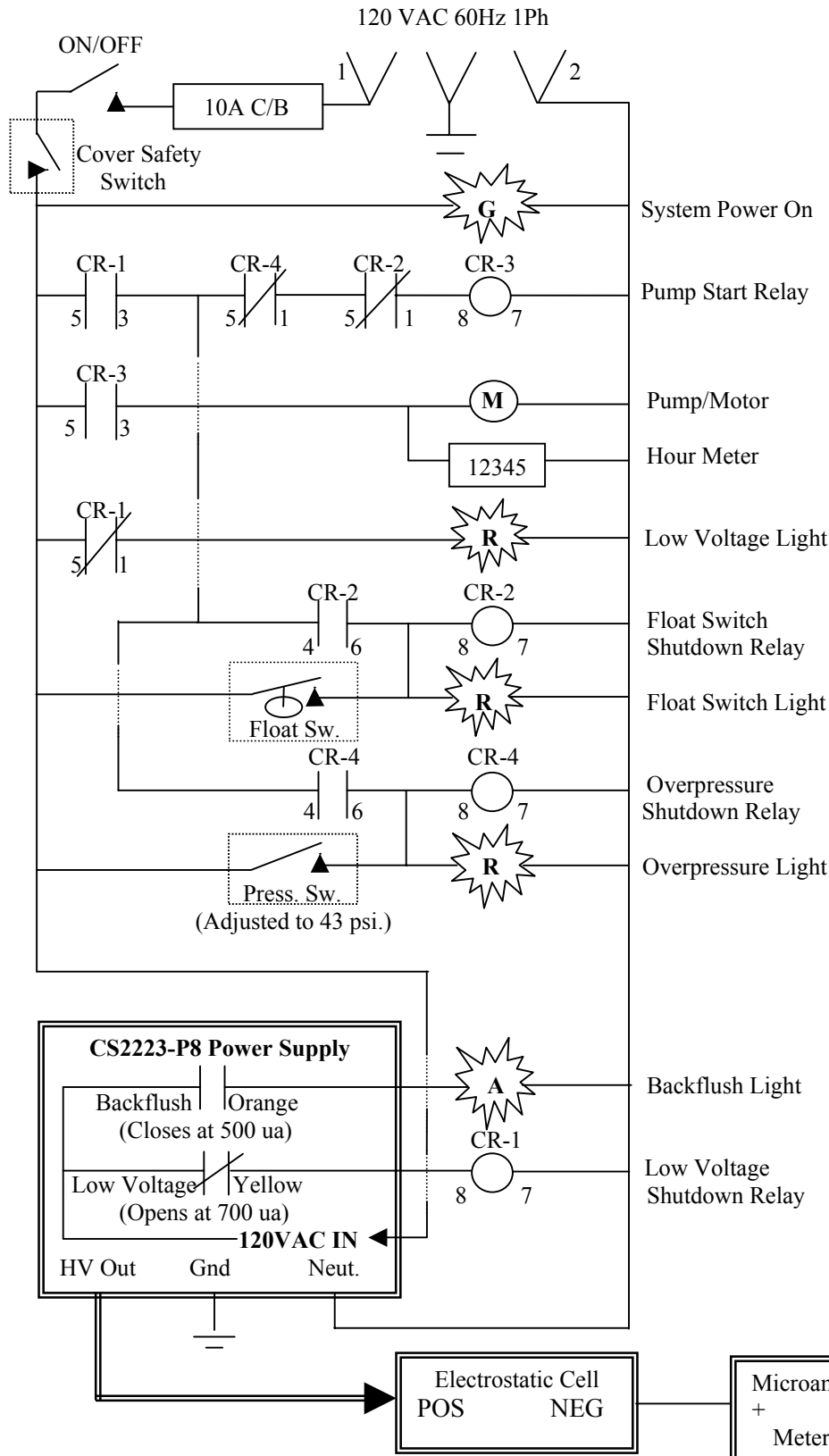


**WIRING DIAGRAM S-SERIES CABINET UNITS**



CR-1 Low Volt  
CR-2 Float Sw.  
CR-3 Pump Start  
CR-4 Over Press.

